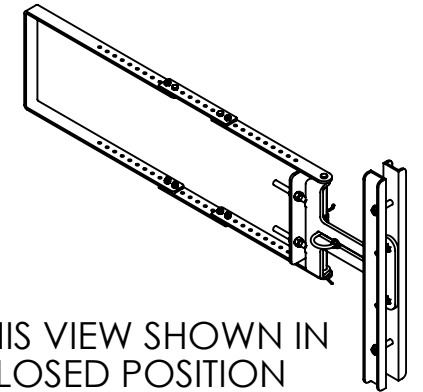
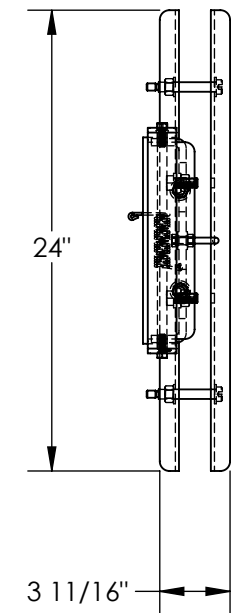
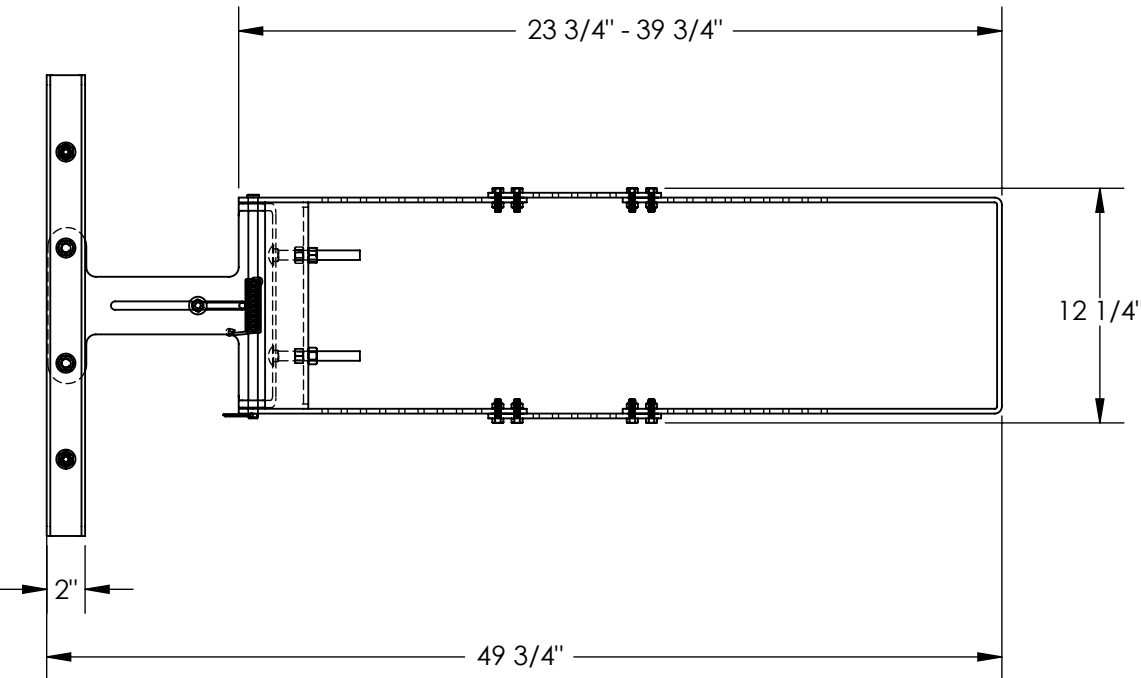


SELF-CLOSING STEEL GATES - SPG-40-G

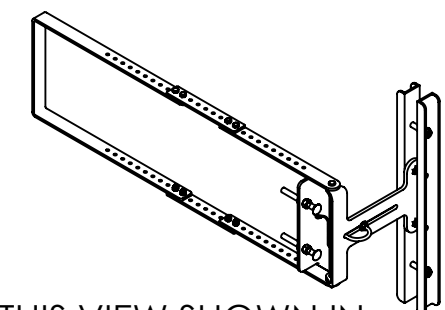
APPROX WEIGHT: 30.83 lbs.
 DOES NOT INCLUDE WEIGHT OF POWER OR PACKAGING!!!

*** ANY ADDITIONS, DELETIONS, OR OMISSIONS MUST BE CORRECTED ON THIS DRAWING AS THIS DRAWING WILL BE CONSIDERED ALL INCLUSIVE ***

ALL GRAPHICS PROVIDED ARE FOR REFERENCE ONLY. IF CERTAIN DIMENSIONS ARE CRITICAL PLEASE VERIFY THOSE DIMENSIONS WITH YOUR SALESPERSON



THIS VIEW SHOWN IN CLOSED POSITION



THIS VIEW SHOWN IN OPEN POSITION

STANDARD FEATURES

- MODEL NUMBER IS SPG-40-G
- OVERALL WIDTH IS 3 11/16"
- USABLE WIDTH IS 3 11/16"
- OVERALL LENGTH IS 49 3/4"
- USABLE LENGTH IS 23 3/4" TO 39 3/4"
- OVERALL HEIGHT IS 24"
- USABLE HEIGHT IS 12 1/4"
- FITS HANDRAILS MEASURING UP TO Ø2"
- GALVANIZED STEEL FINISH

SPECIAL FEATURES

NONE

A P P R O V A L

I, THE UNDERSIGNED, AGREE THAT THE PRODUCT AS REPRESENTED SATISFIES DESIGN AND DIMENSION REQUIREMENTS. I ALSO ACKNOWLEDGE MY DUTY TO CONFIRM PRODUCT AND INSTALLATION COMPLIANCE WITH ALL APPLICABLE FEDERAL, STATE AND LOCAL REGULATIONS AND STANDARDS.

ALL SPECIAL UNITS ARE NON-RETURNABLE
 [] As drawn [] As marked

Signed: _____ Date: _____

LEAD TIME WILL START UPON RECEIPT OF SIGNED APPROVAL DRAWING

DISTRIBUTOR'S NAME:		P.O.#
VESTIL MANUFACTURING		X
DRAWN BY: ND		W.O.#
DATE: 8/6/09		X
REFERENCE: X	SCALE: 1:10	SALES: X
QUOTED LEAD TIME: X	QUOTE # X	FILE NAME:
		23-007-276-001